

# Nova 2U Rack Mount Dual Display Drawer



The NOVA 2U dual display drawer is designed for Command and Control Systems which demand quick deployment of side by side displays.

2U 22" depth platform allows small size and transit case portability. To ensure chassis ruggedness, mobility and quality, as well as for harsh environment applications, the NOVA drawer is meticulously constructed.

This NOVA Series offers diverse options on monitors with different resolutions and brightness, which include 17" 4K, 17" Full HD, High Bright 17" Full HD and 4:3 19" industrial grade LCD to satisfy the increasing demand for superior graphics and image clarity.

## Key Benefits

- ▶ 2U 22" short depth design
- ▶ Rugged construction for mobility & durability
- ▶ Built-in solid bearing slide rails
- ▶ Built-in dual stereo speaker ( per display )
- ▶ Three LED backlit display selections ( 4K, HD, 4:3 )
- ▶ DVI-D + VGA video input for HD & 4:3 ( per display )
- ▶ Display port 1.2 video input for 4K ( per display )
- ▶ Fits 24" ~ 36" rack via adjustable mounting brackets

## Options

- 17" 4K, 17" HD , High Bright 17" HD or 4:3 19" LCD
- HDMI 2.0 (4K) 1.4 (HD 17") 1.2 (19") input (HDCP)
- DC power : 24V / 48V / 110V / 125V / 250V
- 3G / HD / SD-SDI Broadcast-grade input
- Sunlight readable 17" HD & 19" display
- Touchscreen : Projected Capacitive ( 10-pt ) / Resistive ( 1-pt )

## Models



### 4K 17" Display

3840 x 2160 native resolution / Display port 1.2 video input  
1920 x 1080 & 1920 x 1200 resolution support

**LCD2U17-2K-011L** : Dual display drawer ( L mounted )

**LCD2U17-2K-011R** : Dual display drawer ( R mounted )

### 19" 4:3 Display

1280 x 1024 native resolution / DVI-D + VGA video input

**LCD2U19-2T-011L** : Dual display drawer ( L mounted )

**LCD2U19-2T-011R** : Dual display drawer ( R mounted )

### HD 17" Display

1920 x 1080 native resolution / DVI-D + VGA video input

**LCD2U17-2H-011L** : Dual display drawer ( L mounted )

**LCD2U17-2H-011R** : Dual display drawer ( R mounted )

### HD 17" High Bright Display

1920 x 1080 native resolution / DVI-D + VGA video input

**LCD2U17-2H-012L** : Dual display drawer ( L mounted )

**LCD2U17-2H-012R** : Dual display drawer ( R mounted )

## Product Specifications

LCD Panel	LCD2U17-2K-011	LCD2U17-2H-011	LCD2U19-2T-011
Native resolution	3840 x 2160	1920 x 1080	1280 x 1024
Panel size (diagonal)	17.3"	17.3"	19"
Brightness (cd/m <sup>2</sup> )	400	400	250
Contrast ratio (typ.)	1000 : 1	600 : 1	1000 : 1
Colors	16.7 M, 8-bit	16.7 M, 8-bit	16.7 M
Viewing angle (L/R/U/D)	89/89/89/89	80/80/60/80	85/85/80/80
Response time (ms)	Max. 30	40	5
Dot pitch (mm)	0.0995	0.1989	0.294
Display area (mm)	382.12H x 214.94V	381.888H x 214.812V	337.92H x 270.33V
Surface treatment	Anti-glare	Anti-glare, Hard-coating	Haze 25%, Hard-coating
Surface hardness	3H	3H	3H
Backlight type	LED	LED	LED
MTBF (hrs)	20,000	50,000	30,000

\* For High Bright 17" HD display spec, please contact us for details.

Video				
Digital	Display port	DP 1.2 / HDCP 1.3	-	-
	DVI-D	-	-	DVI-D, TMDS single link
Analog	VGA	-	-	Analog 0.7Vp-p
Plug & Play	DVI / VGA	-	-	VESA EDID structure 1.3
Synchronization	VGA	-	-	Separate, Composite & SOG
Option		HDMI 2.0 / HDCP 2.2	HDMI 1.4 / HDCP 1.4	HDMI 1.2 / HDCP 1.1

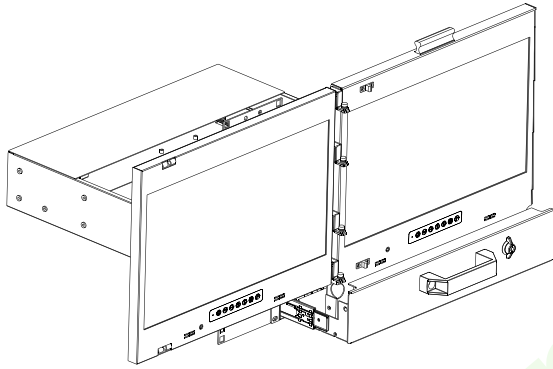
Power				
Input		Auto-sensing 100 to 240VAC, 50 / 60Hz		
Consumption	Screen on	Max. 29W	Max. 25W	Max. 25W
	Power saving	Max. 9W	Max. 4W	Max. 4W
	Power button on	Max. 2W	Max. 1W	Max. 1W

Physical			
Product (W x D x H)	2K / 2H model	mm inch	441.6 x 550 x 88 17.4 x 21.7 x 3.5
	2T model	mm inch	441.6 x 600 x 88 22.8 x 23.6 x 7.8
Net Weight	2K / 2H model	Dual display	19.4 kg / 42.7 lb
	2T model	Dual display	20.4 kg / 44.9 lb
Chassis color	Black		
Chassis materials	Steel		

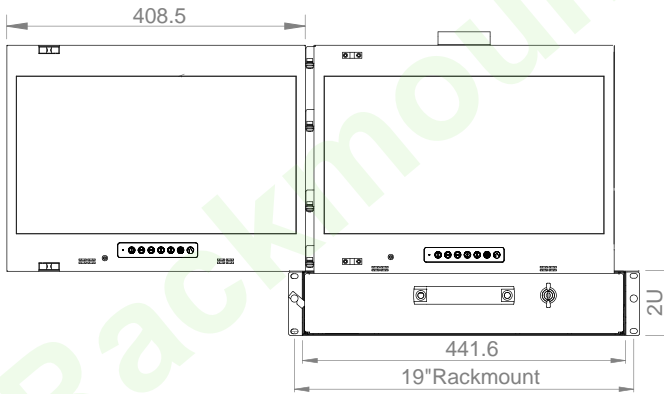
Compliance	
EMC	FCC & CE certified
Safety	CE / LVD certified
Environment	RoHS2 & REACH compliant

Environment	
Operating temp.	0 to 55°C degree
Storage temp.	-20 to 60°C degree
Operating humidity	20~90%, non-condensing
Storage humidity	5 ~90%, non-condensing
Operating altitude	16,000 ft
Non-operating altitude	40,000 ft
Shock	10G acceleration ( 11ms duration )
Vibration	10~300Hz 0.5G RMS random vibration

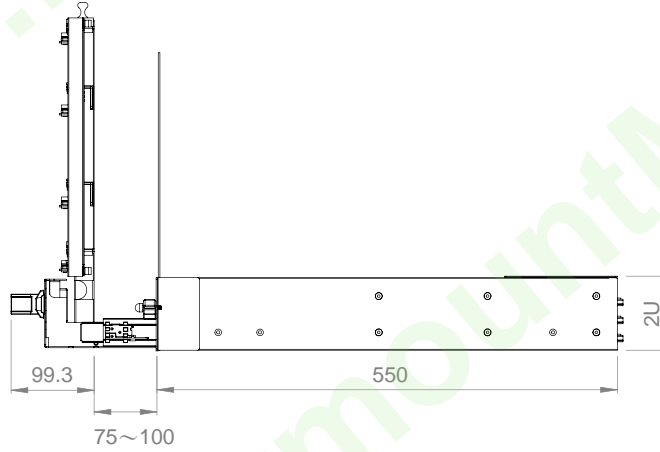
Diagrams ( mm )



Front View



Side View



Top View

